

OPERATION WHEN DIRECTLY CONNECTED TO CHIMNEY	Cupola	Hot air exchanger
Tested according to	EN 13229	EN 13229
Nominal heat power	8 kW	12 kW
Efficiency	> 80 %	> 80 %
Consumption of wood	2,4 kg/h	3,5 kg/h
Mass flow of flue gas	8 g/s	10 g/s
Average flue gas temperature on the output	249 °C	269 °C
Heat distribution		
fireplace insert	62–74 %	62–74 %
door glass (single / double)	38 / 26 %	38 / 26 %
Required chimney pressure	12 Pa	12 Pa
Required amount of combustion air	30 m ³ /h	40 m ³ /h
Minimum supply air grating cross-section	700 cm ²	1 050 cm ²
Minimum outgoing air grating cross-section	850 cm ²	1 250 cm ²

OPERATION WITH CONNECTED ACCUMULATION MASS	Cupola	Adaptor
Load of wood	5,5 kg	5,5 kg
Total heat output of the burning chamber	22 kW	22 kW
Mass flow of flue gas	15 g/s	15 g/s
Average flue gas temperature on the output ¹⁾ past 3,2 m of ceramic accumulation system KMS 300 ²⁾ past HOXTER accumulation set	356 °C 184 °C –	362 °C – 219 °C
Heat distribution		
fireplace insert	37 %	33 %
door glass (single / double)	38 / 26 %	38 / 26 %
adjoining accumulation mass	25–37 %	29–41 %
Required chimney pressure	12 Pa	12 Pa
Minimum radiant area ³⁾	ca. 5 m ²	ca. 5 m ²
Required amount of combustion air	60 m ³ /h	60 m ³ /h

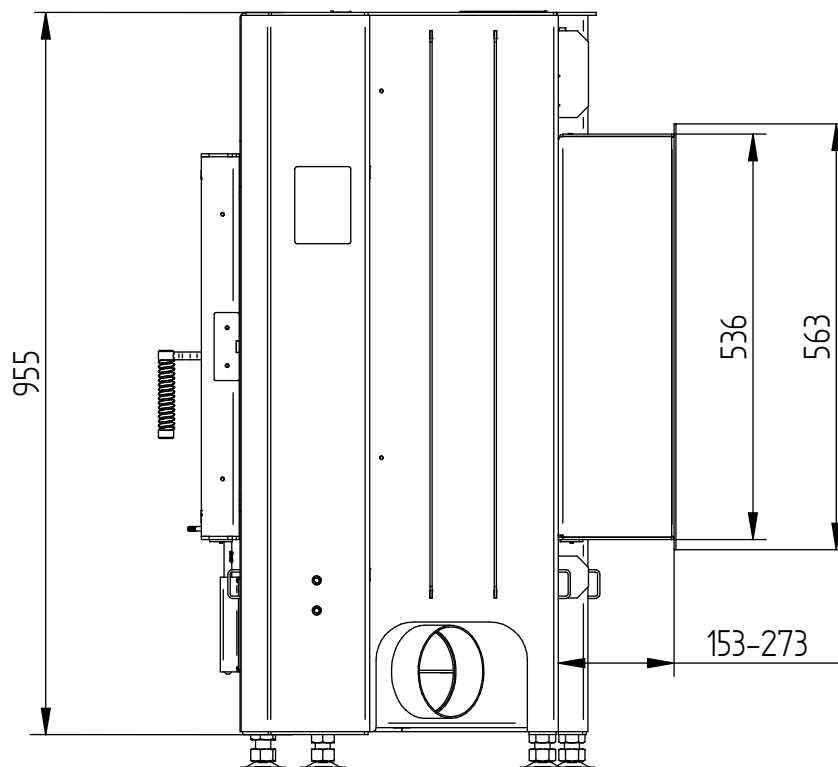
GENERAL TECHNICAL INFORMATION	
Combustion air connection	Ø 125 mm
Total weight / lining weight	ca. 255 / 87 kg
Use in non-ventilated accumulation builds according to craft rules	suitable
Meets values	BlmSchV (Stufe2), 15a BVG

- 1) The Hoxter products are available in the Austrian stove-calculation program for evaluation of firebrick accumulation systems.
- 2) Only a sample calculation! For accurate results is evaluation of each system in the KMS-calculation program from the Ortner company necessary.
- 3) Depends on accumulation period and material characteristics and its thickness. Calculated with heat emission of the radiant area ca. 500 W/m².hr

ECKA 67/45/51La

Technical data
Version 01/2018

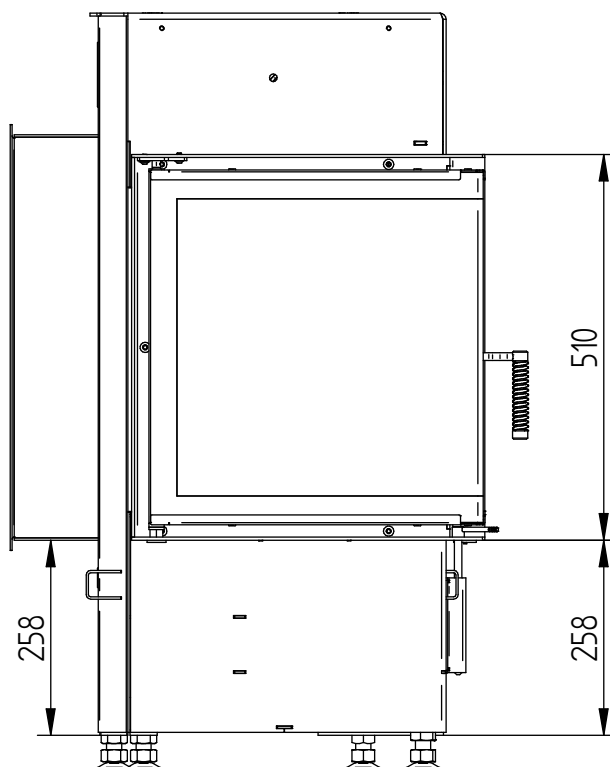
M 1 : 10



ECKA 67/45/51La

Technical data
Version 01/2018

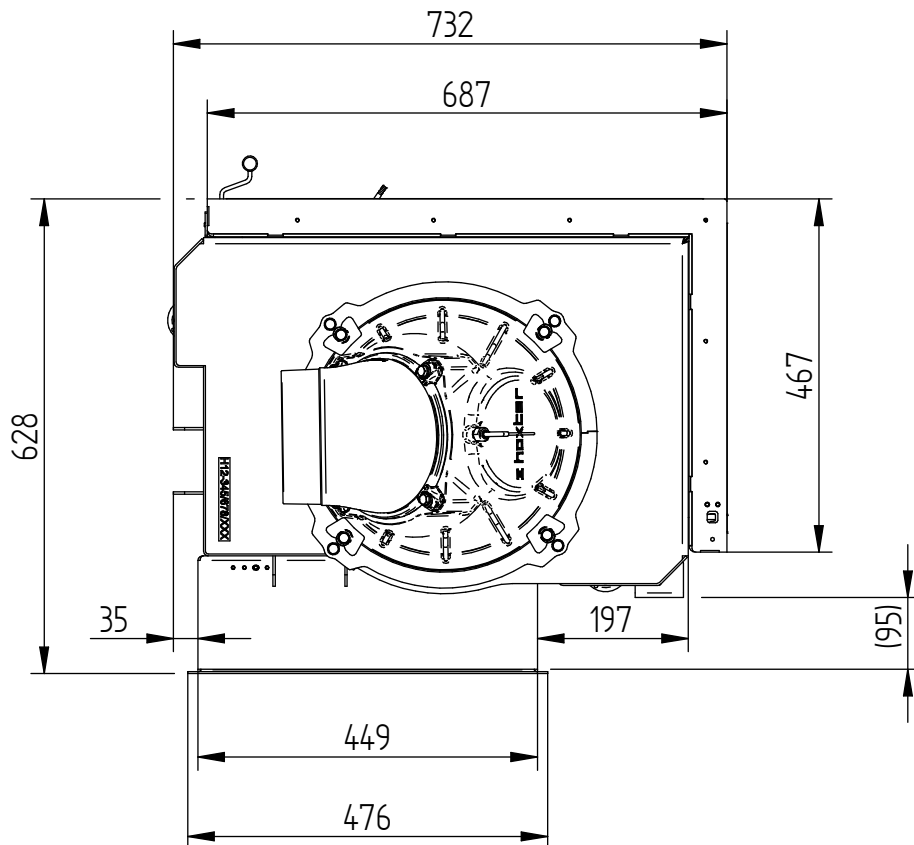
M 1 : 10



ECKA 67/45/51La

Technical data
Version 01/2018

M 1 : 10

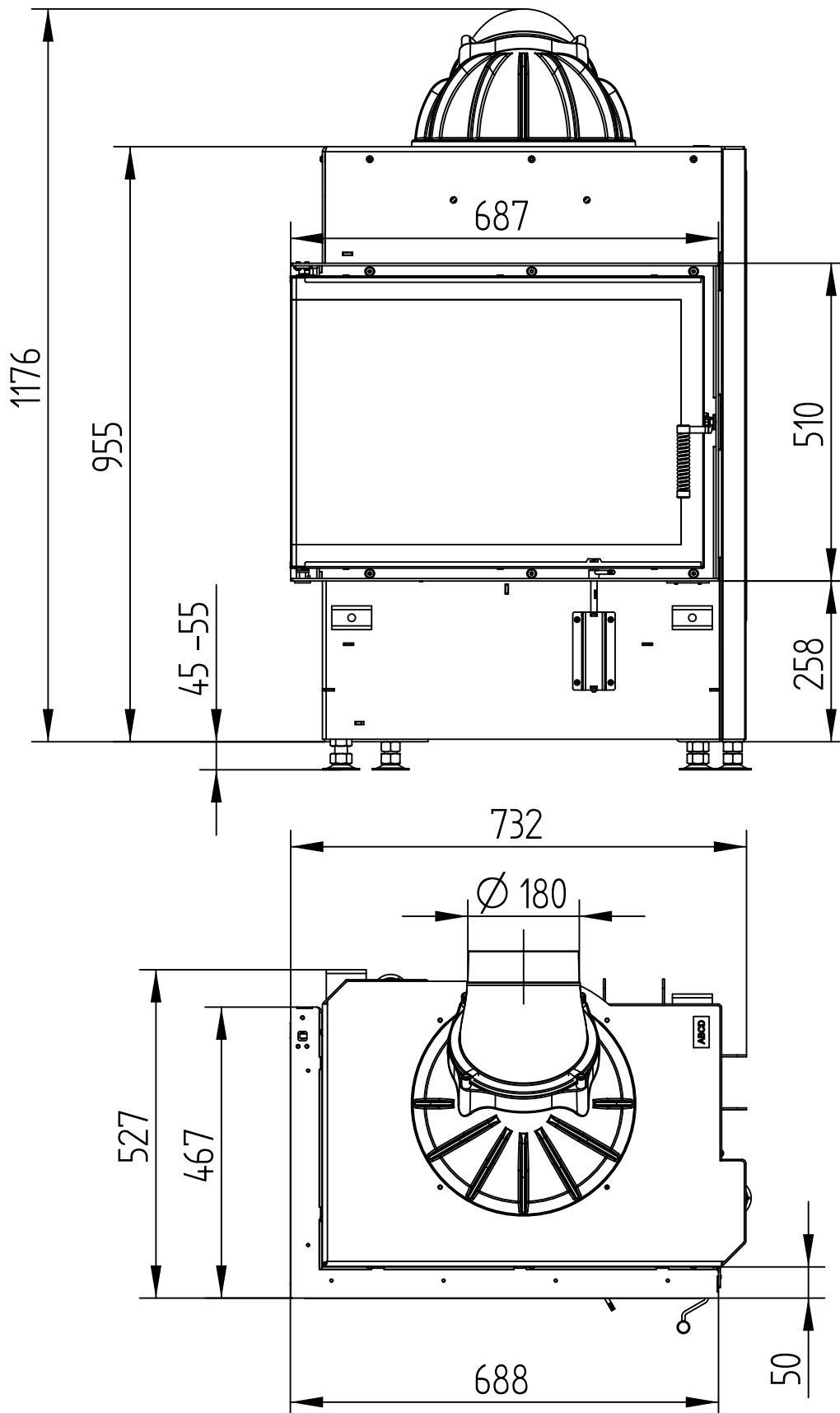


ECKA 67/45/51La

WITH CUPOLA

Technical data
Version 01/2018

M 1 : 10

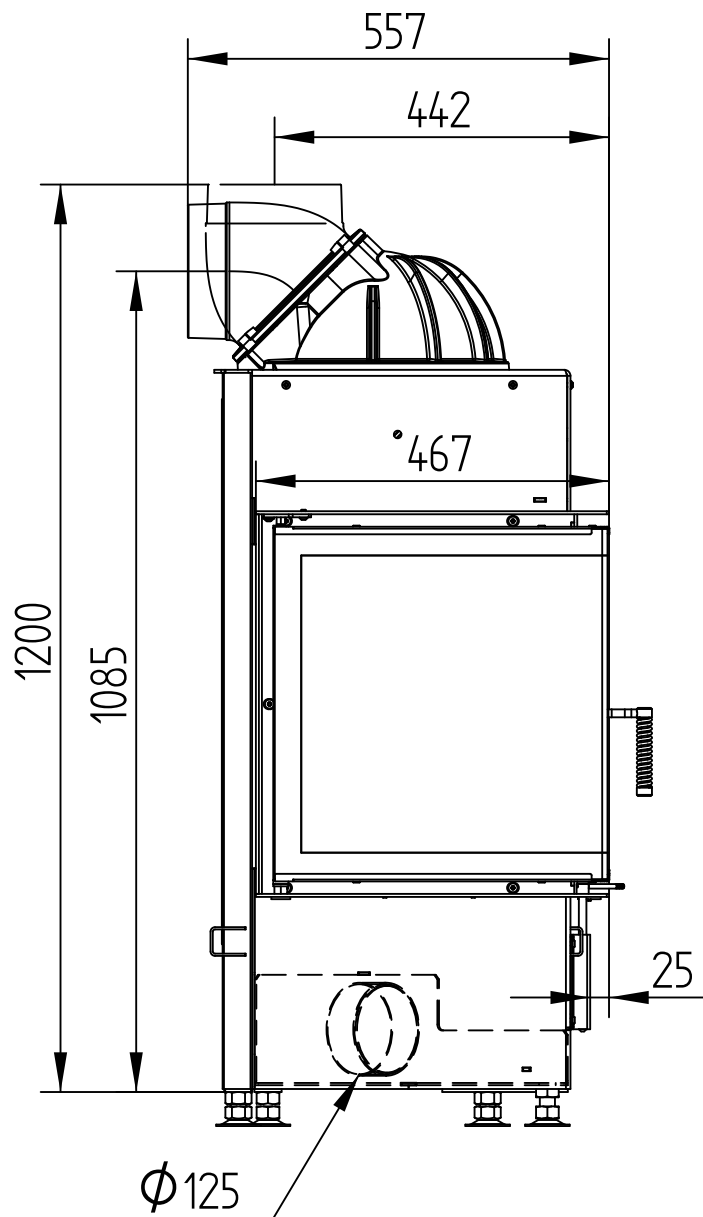


ECKA 67/45/51La

WITH CUPOLA

Technical data
Version 01/2018

M 1 : 10

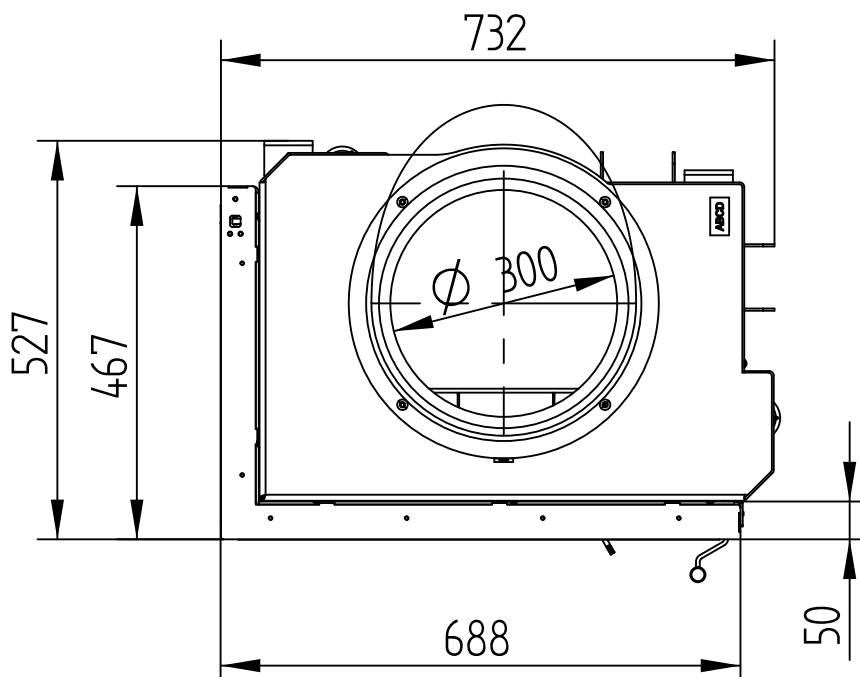
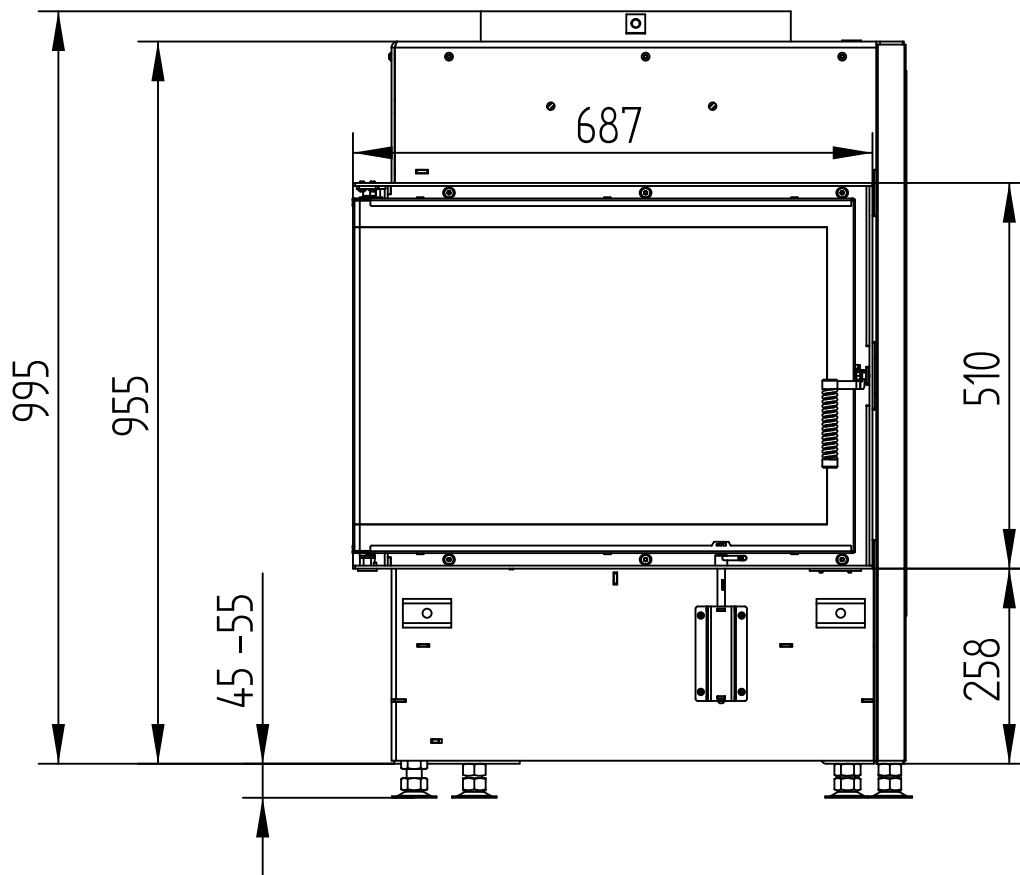


ECKA 67/45/51La

Technical data
Version 01/2018

WITH ADAPTOR

M 1 : 10

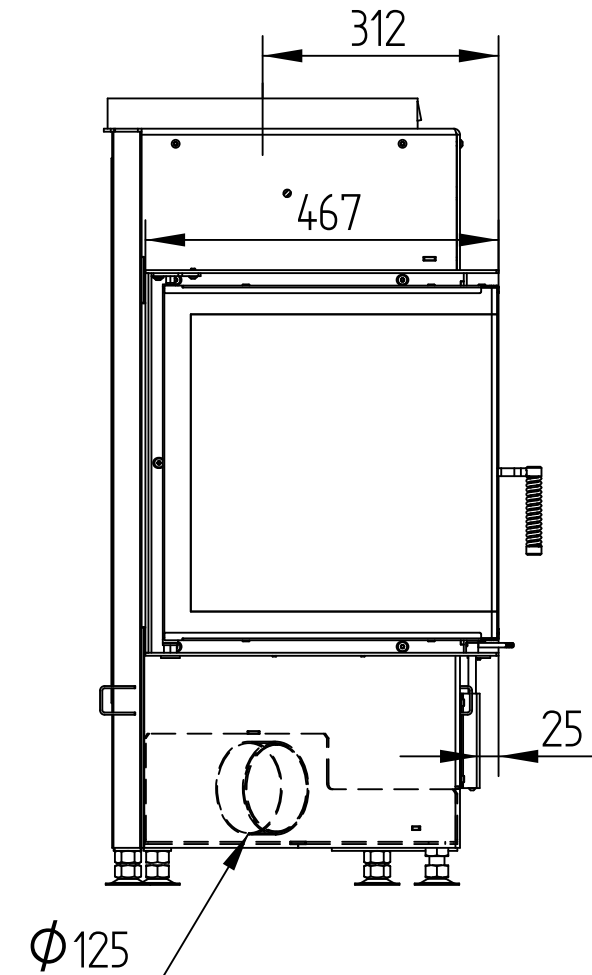


ECKA 67/45/51La

WITH ADAPTOR

Technical data
Version 01/2018

M 1 : 10

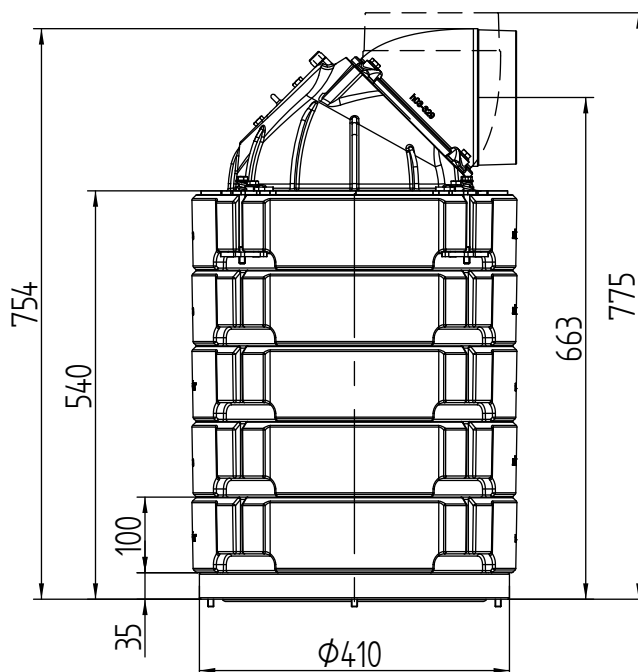


ECKA 67/45/51La

ACCUMULATION SET

Technical data
Version 01/2018

M 1 : 10

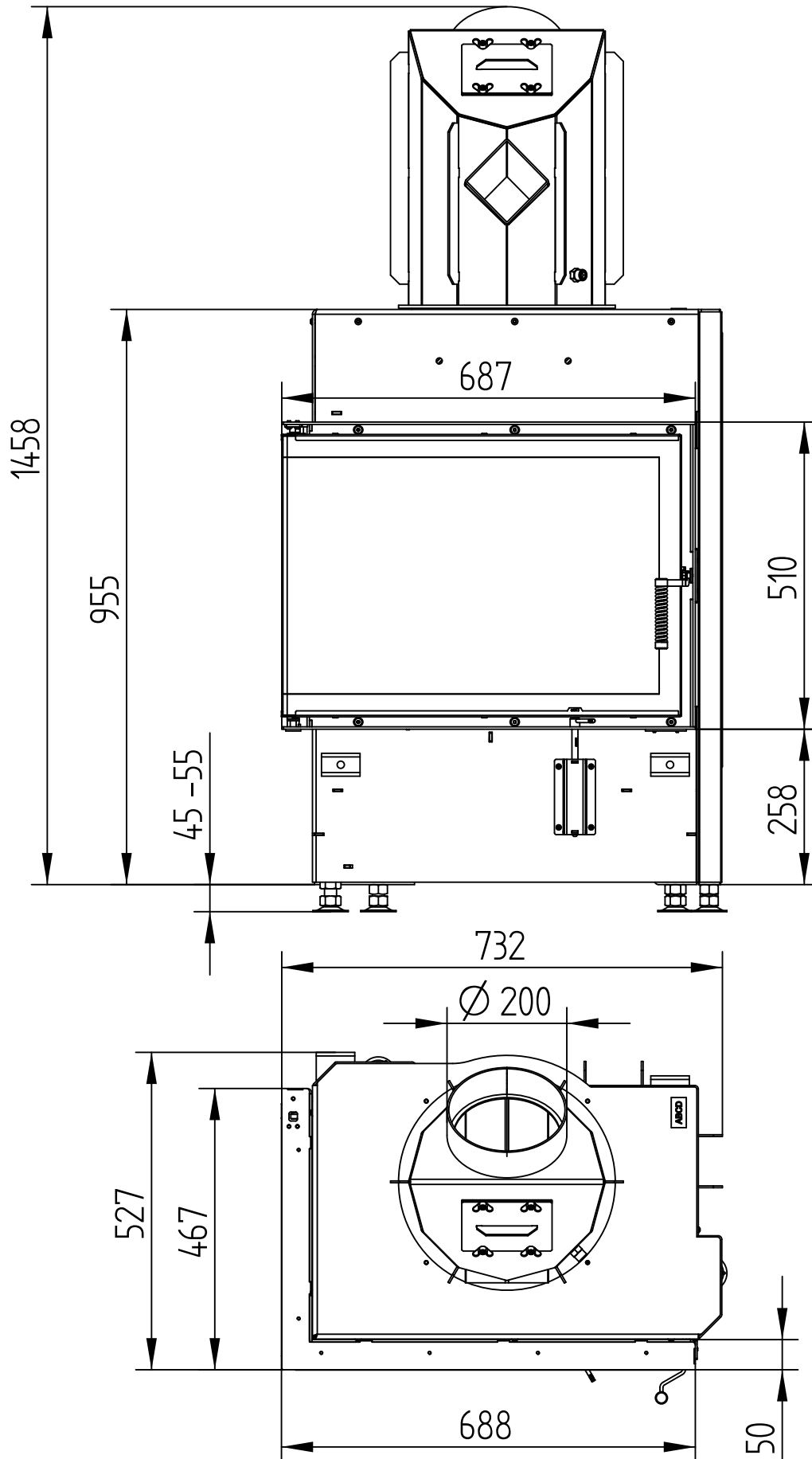


ECKA 67/45/51La

Technical data
Version 01/2018

WITH HOT AIR EXCHANGER

M 1 : 10

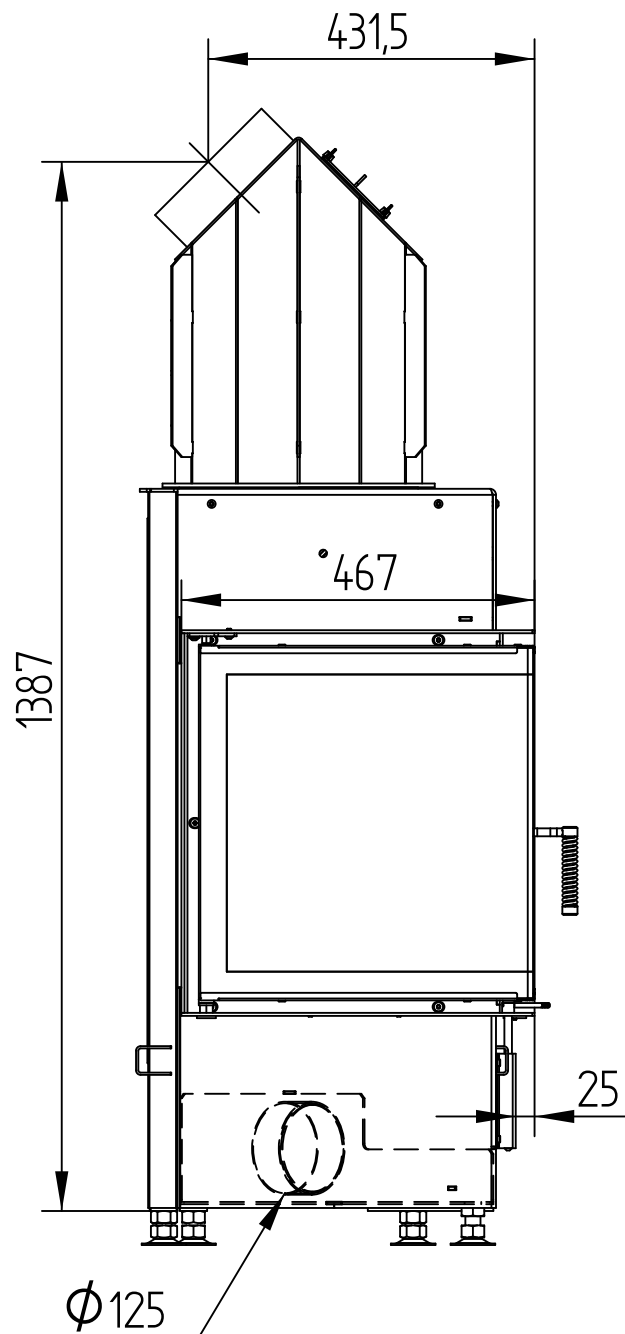


ECKA 67/45/51La

WITH HOT AIR EXCHANGER

Technical data
Version 01/2018

M 1 : 10

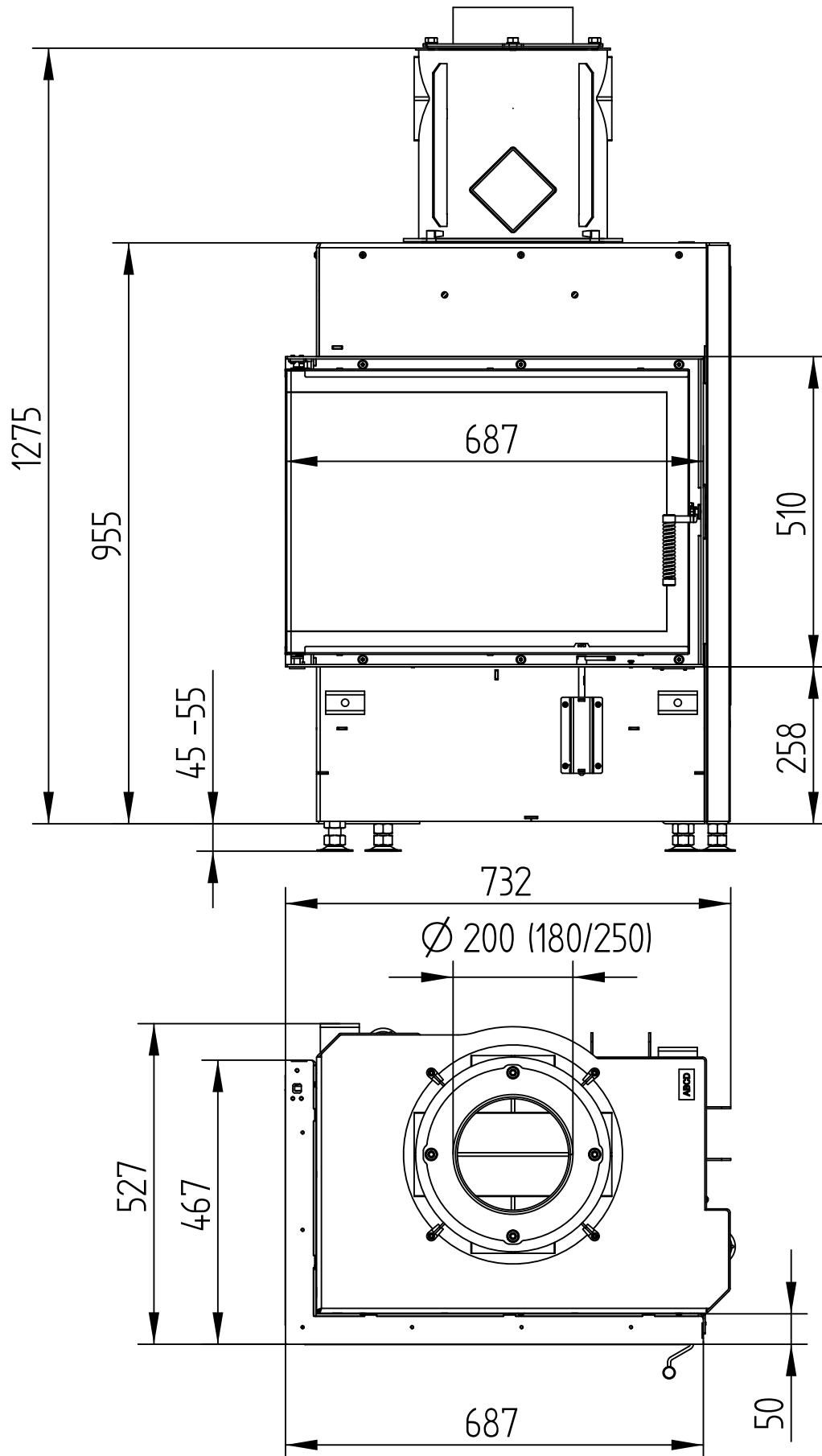


ECKA 67/45/51La

Technical data
Version 01/2018

WITH HOT AIR EXCHANGER VERTICAL

M 1 : 10

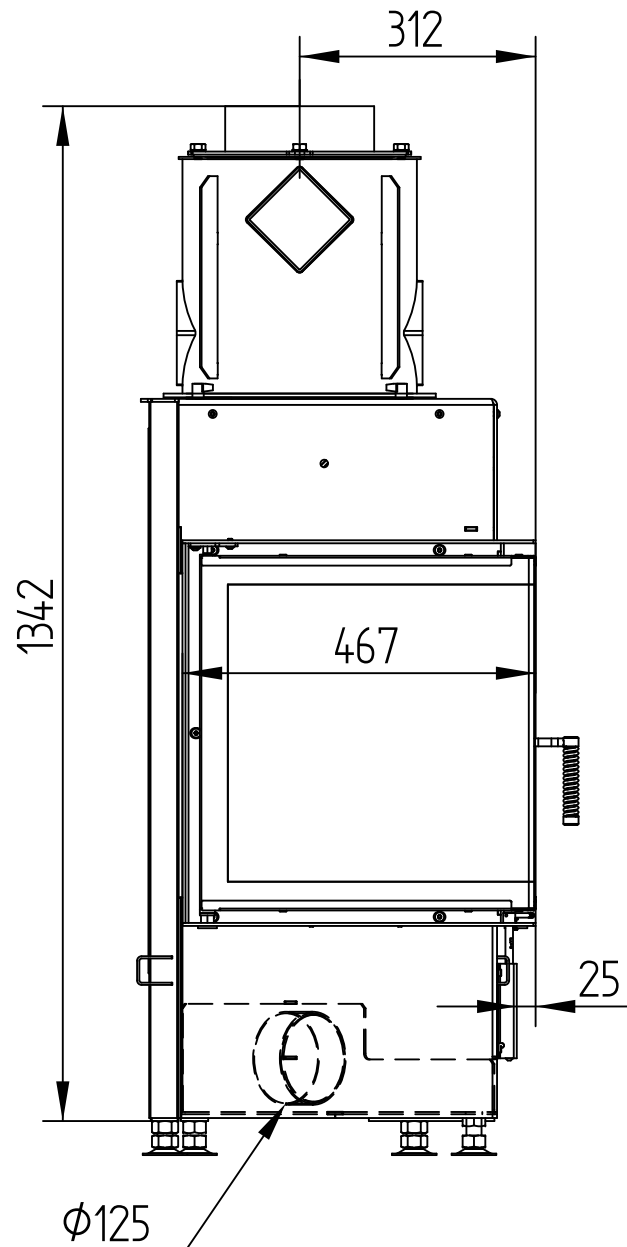


ECKA 67/45/51La

WITH HOT AIR EXCHANGER VERTICAL

Technical data
Version 01/2018

M 1 : 10

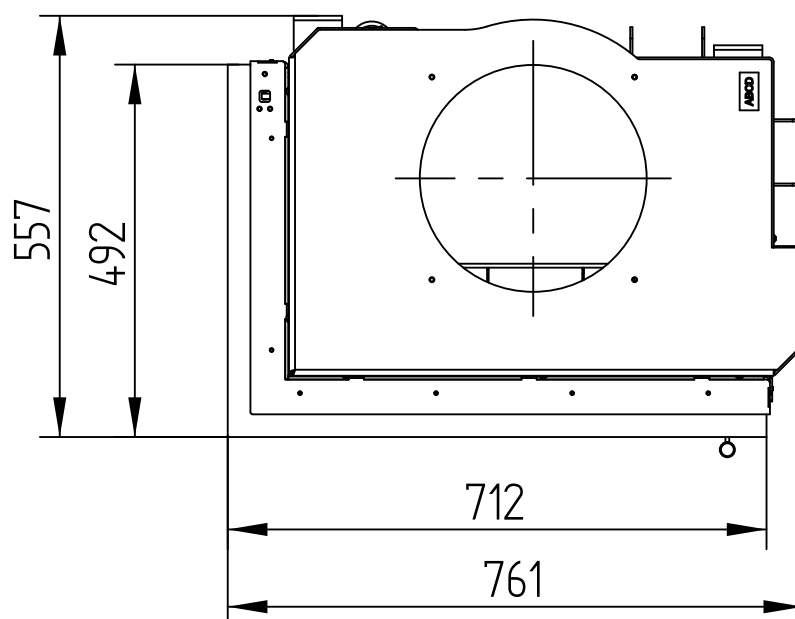
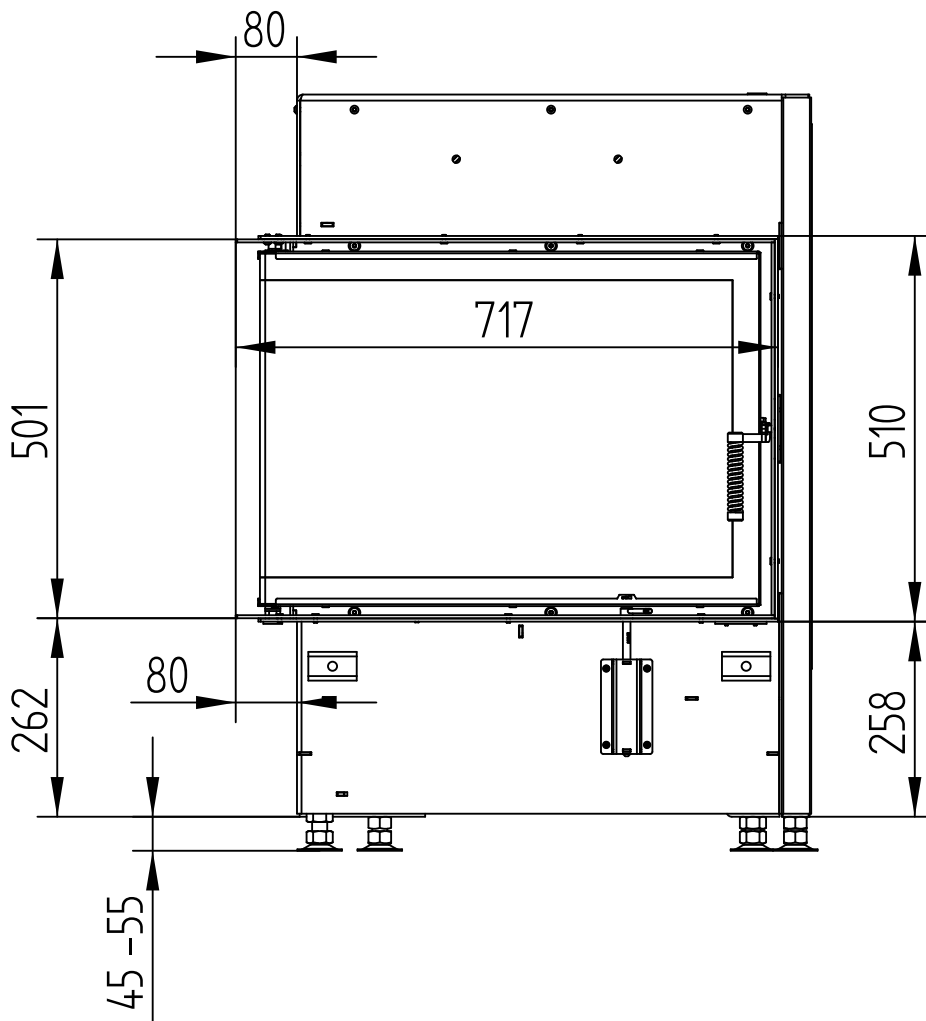


ECKA 67/45/51La

Technical data
Version 01/2018

BUILD-ON FRAME 6-SIDED, 80 mm

M 1 : 10

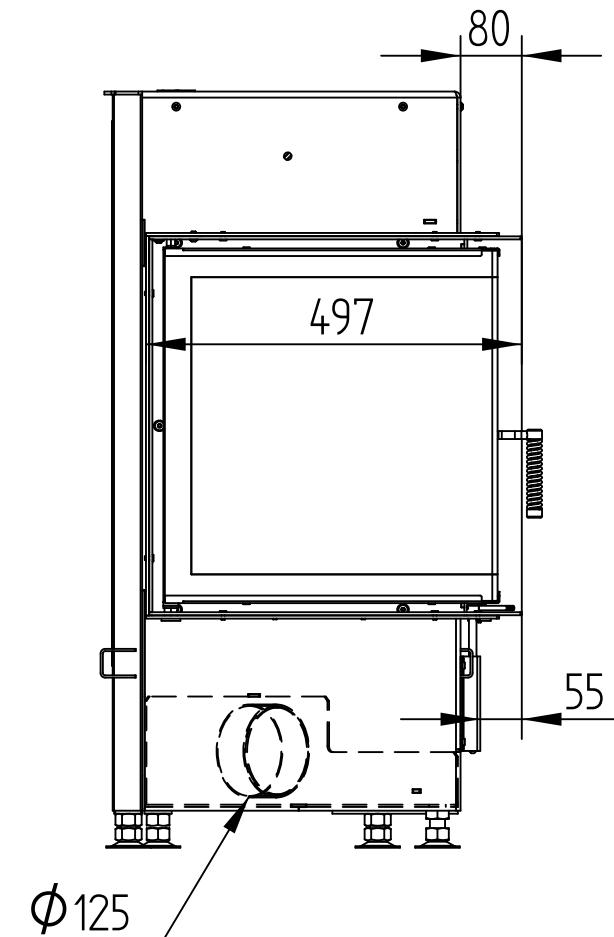


ECKA 67/45/51La

BUILD-ON FRAME 6-SIDED, 80 mm

Technical data
Version 01/2018

M 1 : 10

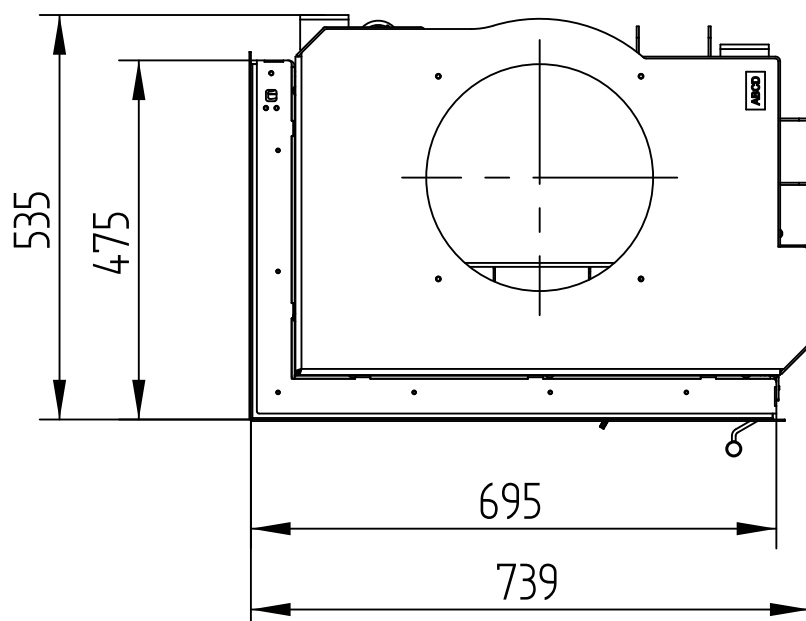
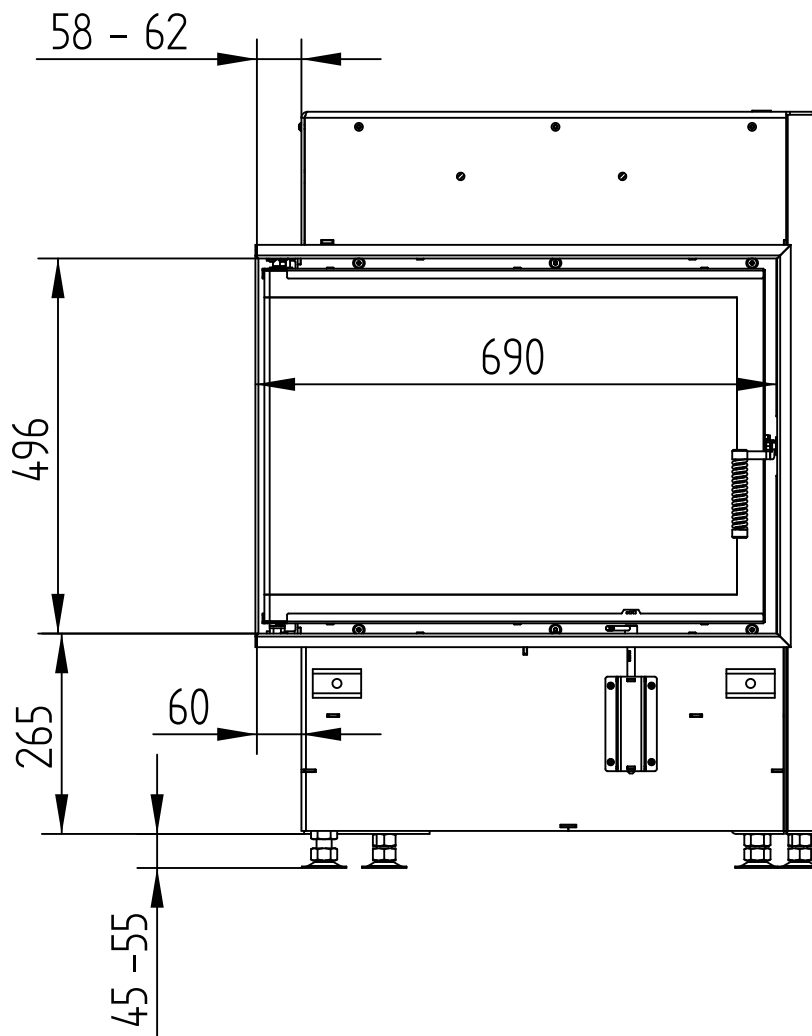


ECKA 67/45/51La

Technical data
Version 01/2018

COVER FRAME 6-SIDED, 60 mm

M 1 : 10



ECKA 67/45/51L

COVER FRAME 6-SIDED, 60 mm

Technical data
Version 01/2018

M 1 : 10

